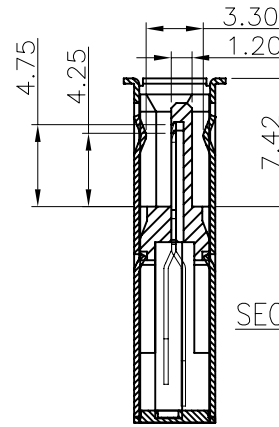
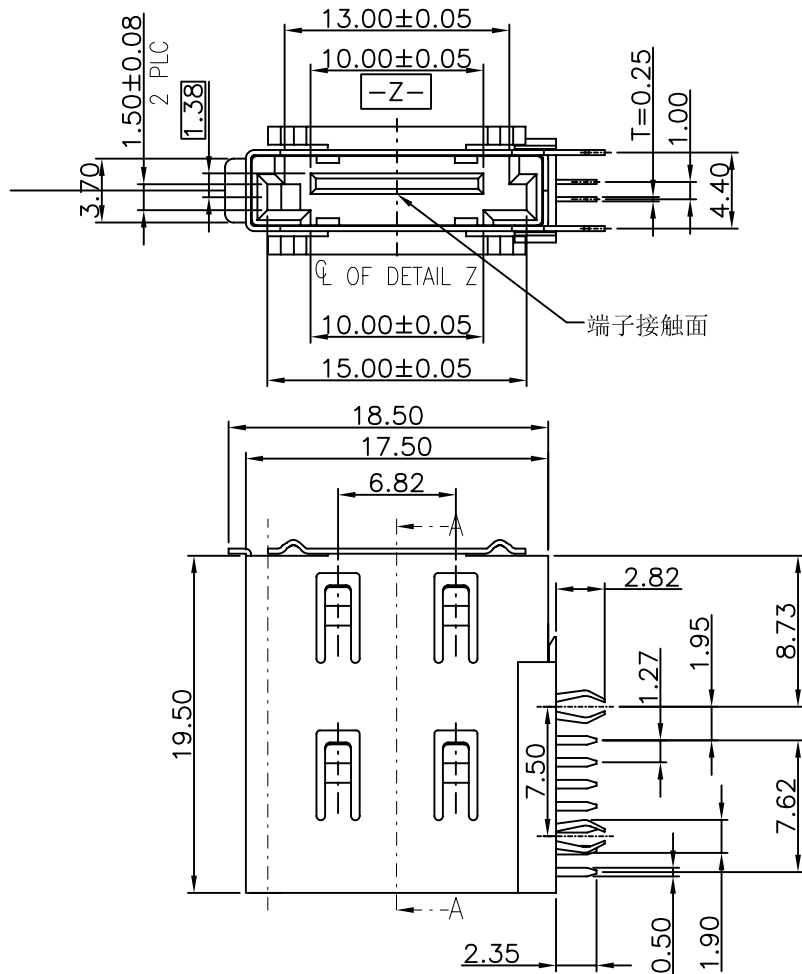
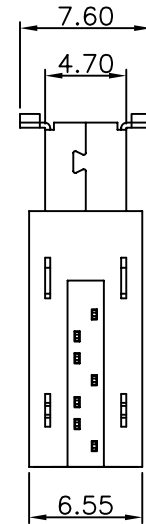




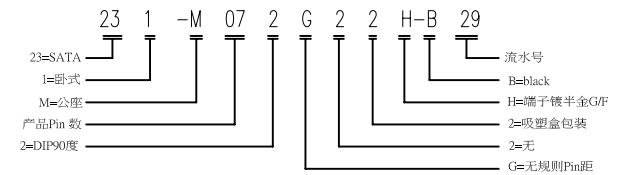
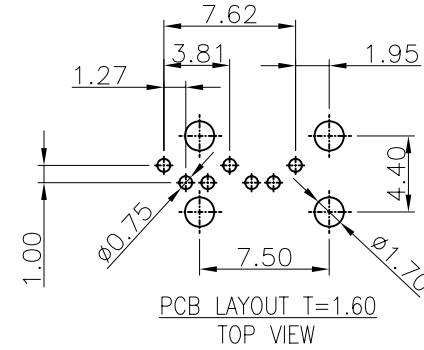
DATE	DR.BY	ECN.NO.	DESCRIPTION	MARK	VER.
16.06.06	何俊勇		NEW DWG		AO
19.05.06	LQX		取消外壳底部卷边		A1



SECTION A-A



NOTES:  
 1.MATERIAL:  
 HOUSING:LCP UL94V-0 COLOR:BLACK  
 CONTACT:BRASS  
 SHELL:BRASS  
 2.FINISH:  
 CONTACT:SELECTION GOLD PLATING ON CONTACT AREA  
 100u" MIN.MATTE TIN PLATING ON SOLDER TAILS  
 50u" MIN.NICKEL UNDERPLATING OVER ALL  
 SHELL:50u"MIN.NICKEL UNDERPLATING OVER ALL



NO.	DESCRIPTION	MATERIAL	COLOR	REMARK
3	SHELL	Brass C2680		Gold/Tin Plated
2	Terminal	Brass C2680		Gold/Tin Plated
1	Housing	High Temp	Black	UL 94V-0

-TOLERANCES-		UNLESS OTHERWISE SPECIFIED		公差参考表		东莞市龙科电子科技有限公司 DONGGUAN LONGKE ELECTRONICS CO.,LTD :						
X.X	±0.25	X.X°	±3.00°	APPD:	核准:	邹重庆	TITLE: 产品品名: EATA 7P 公座90度侧插式					
X.XX	±0.20	X.XX°	±1.00°	CHECK:dd	校对:	范小飞	PRODUCT NO:	产品料号: 231-M072G22H-B29				
X.XXX	±0.10	X.XXX°	±0.500°	DRAW:	绘图:	何俊勇	DATE	SCALE	UNIT	TYPE	PAGE	
							2017.02.18	1:1	mm	CD	1/1	