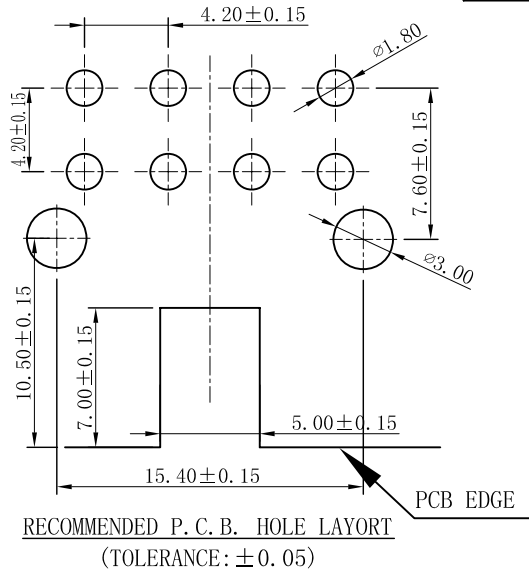
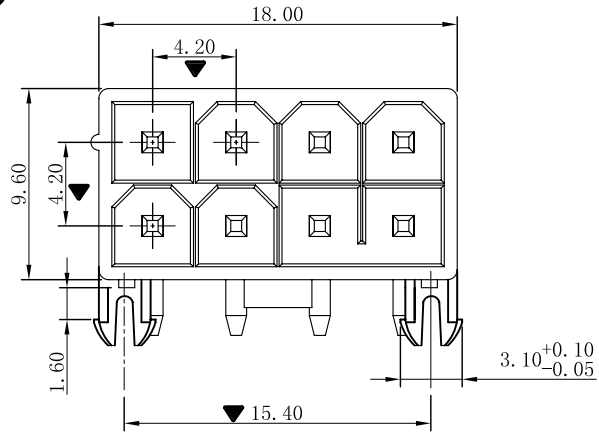
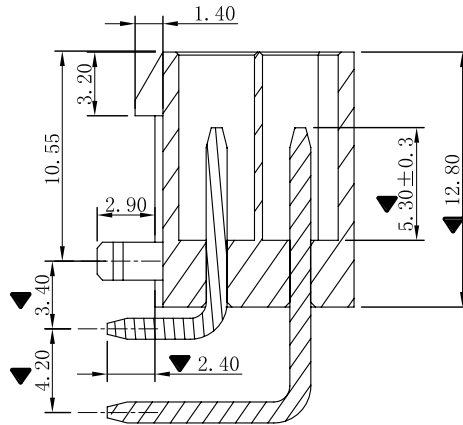
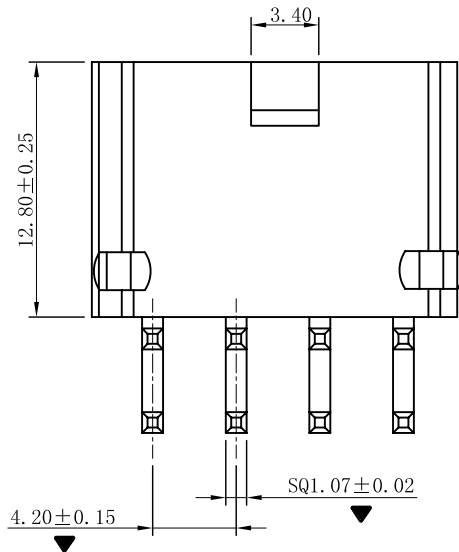


DATE	DR.BY	ECN.NO.	DESCRIPTION	MARK	VER.
1/30'15			NEW DWG		AO



NOTES:

- MATERIAL:  
HOUSING: PA6T, UL 94V-0, COLOR: BLACK  
CONTACT: BRASS, SQ.1.08mm.
- FINISH:  
CONTACT: MATTE TIN PLATED OVER,  
NICKEL UNDER PLATING ALL OVER.
- SPECIFICATION:  
CONTACT RESISTANCE:  $\leq 10\text{m}\Omega$   
INSULATION RESISTANCE:  $\geq 1000\text{M}\Omega$   
VOLTAGE RATING: 1500VAC.  
CURRENT RATING: 8AMPS.  
TEMPERATURE RANGE: -40°C TO +105°C.



-TOLERANCES-		东莞市龙科电子科技有限公司 DONGGUAN LONGKE ELECTRONICS CO.,LTD :	
UNLESS OTHERWISE SPECIFIED			
公差参考表			TITLE: ATX (P=4.2) 2X4P 反向 (小卡) 产品品名 : 扣3.4mm
X.X ±0.25	X.X° ±3.00°	APPD: 核准:	PRODUCT NO: 产品料号 : 150-M082E31Q-B44
X.XX ±0.20	X.XX° ±1.00°	CHECK:dd 校对:	DATE SCALE UNIT TYPE PAGE
X.XXX ±0.010	X.XXX° ±0.500°	DRAW: 绘图: 范小飞	2015.01.30 1:1 mm CD 1/1