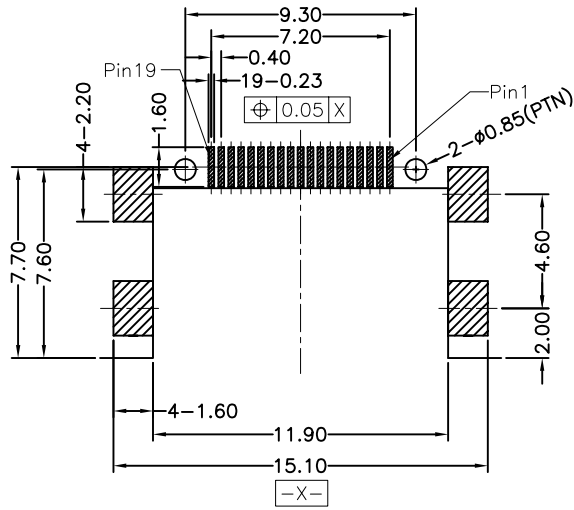
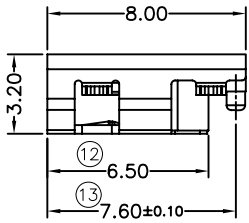
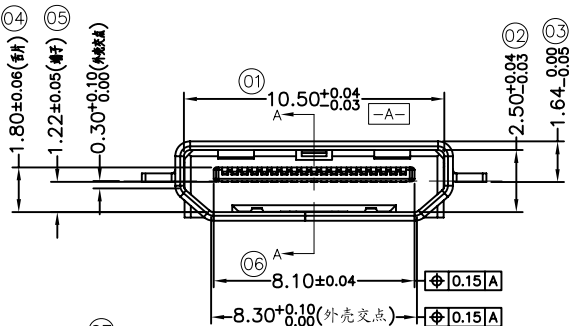
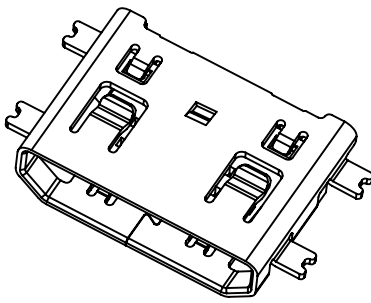
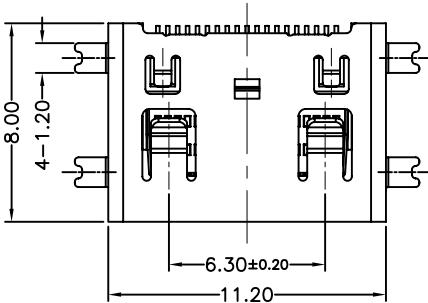


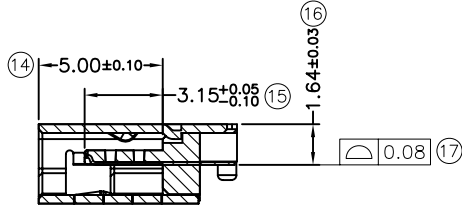
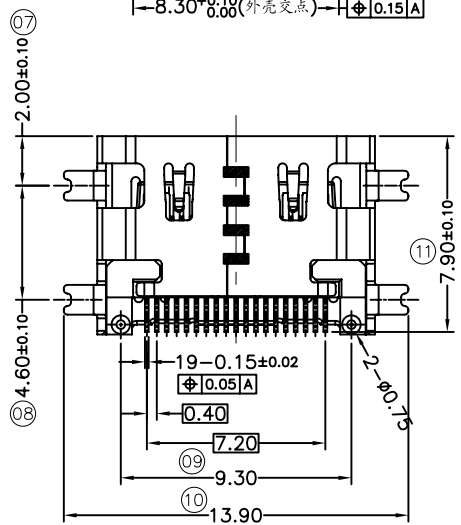


DATE	DR.BY	ECN.NO.	DESCRIPTION	MARK	VER.
12/23'13	VICKY		NEW DWG		AO

NOTES:
 1.MATERIAL AND FINISH SEE THE TABLE.
 2.MECHANICAL CHARACTERISTICS
 INSERTION FORCE: 44.1N MAX
 EXTROCTION FORCE: 9.8N MIN, 39.2N MAX
 MATING CYCLE:10000 CYCLES
 3.ELECTRICAL CHARACTERISTICS
 RATING CURRENT: 0.5A
 RATING VOLTAGE: 40V
 CONTACT RESISTANCE: 10 MILLOHMS OHMS MAX
 (EXCLDING CONDUCTOR RESISTANCE)
 INSULATION RESISTANCE:
 a, UNMATED: 100M OHMS MIN AT 500 VDC
 b, MATED: 10M OHMS MIN AT 150 VDC
 DIELECTRIC WITHSTANDING VOLTAGE:
 500V AC/1MINUTE
 OPERATING TEMPERATURE: -20°C--+85°C
 STORAGE TEMPERATURE: -20°C--+65°C
 4.MARKED ⊛ DIMENSION SHOULD BE MEASURED BY QIP;



RECOMMENDED PCB LAYOUT (TOP VIEW)
 GENERAL TOLERANCE: ±0.05mm



SEC A-A
 SCALE 1:1

-TOLERANCES-		东 莞 市 龙 科 电 子 科 技 有 限 公 司	
UNLESS OTHERWISE SPECIFIED		DONGGUAN LONGKE ELECTRONICS CO.,LTD :	
公差参考表		TITLE: HDMI C TYPE ASSE	
		产品品名: SMT(沉板短体4.6)	
X.X ±0.25	X.X° ±3.00°	APPD:	PRODUCT NO:
		核准:	产品料号: 110-M193143A-B15
X.XX ±0.20	X.XX° ±1.00°	CHECK:dd	DATE
		校对:	SCALE
X.XXX ±0.010	X.XXX° ±0.500°	DRAW:	UNIT
		绘图:	TYPE
			PAGE
			2013.12.20
			1:1
			mm
			CD
			1/1