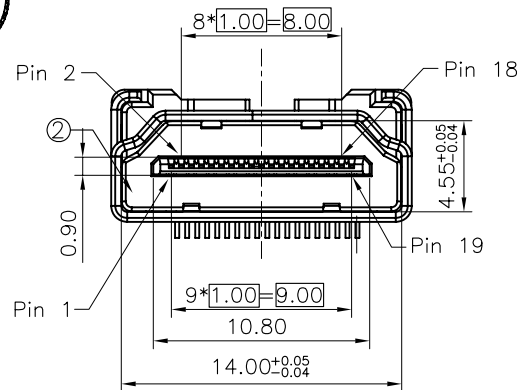
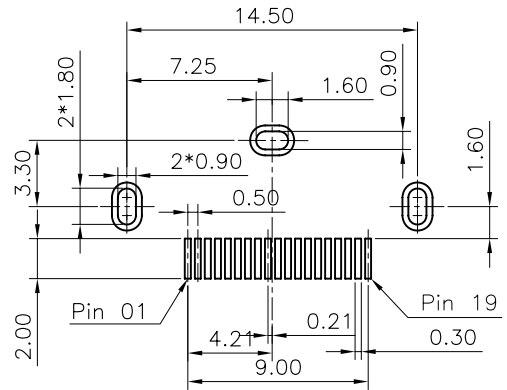
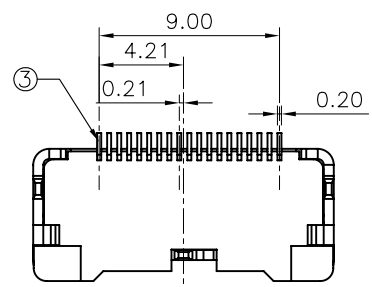
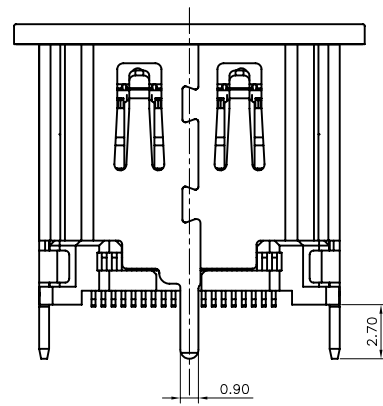
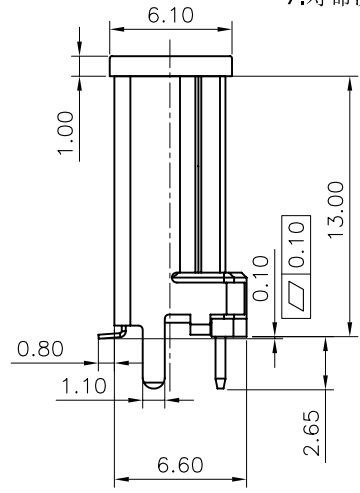
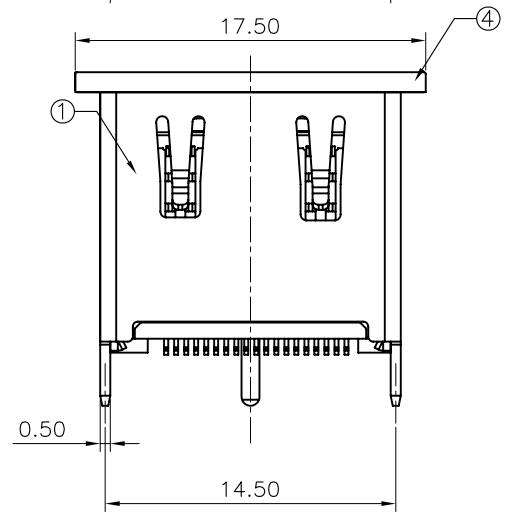


DATE	DR.BY	ECN.NO.	DESCRIPTION	MARK	VER.
3/29'16			NEW DWG		A0



SPECIFICATIONS

- OPERATING CURRENT: 0.5A MAX.
- OPERATION TEMPERATURE: -25°C TO +85°C
- DIELECTRIC WITHSTANDING VOLTAGE:
500Volts AC BETWEEN ADIACENT TERMINAL<UNMATE >
300Volts AC BETWEEN ADIACENT TERMINAL<MATE >
- INSULATION RESISTANCE:
100Mohm MIN.<UNMATED>;10Mohm MIN.<MATED>
- HDMI SPECIFICATION COMPLIANCE
- 盐雾测试: 国际标准要求, 温度35°C, 浓度5%的盐水, 24H, 用清水洗净后观测, 产品无氧化、无锈蚀
- 寿命测试: ≥10000次



RECOMMENDED P.C.B. LAYOUT (T:1.20~1.60mm)
TOLERANCE UNSPECIFIED ±0.05mm

ROHS COMPLIANCE

4	DUST COVER	1	THERMOPLASTIC UL94V-0
3	CONTACTS	19	COPPER ALLOY, GOLD PLATED OVER NICKEL ON CONTACT AREA AND 100u" MIN. TIN PLATED OVER NICKEL ON SOLDER TAILS
2	HOUSING	1	THERMOPLASTIC UL94V-0
1	SHELL	1	COPPER ALLOY OR SPCC,NICKEL PLATED
ITEM	NAME	Q'TY	NOTES

-TOLERANCES- UNLESS OTHERWISE SPECIFIED 公差参考表		东莞市龙科电子科技有限公司 DONGGUAN LONGKE ELECTRONICS CO.,LTD :	
X.X ±0.25	X.X° ±3.00°	APPD: 核准:	TITLE: HDMI A TYPE, VERTICAL 产品品名: 13MM, SMT CONNECTOR
X.XX ±0.20	X.XX° ±1.00°	CHECK:dd 校对:	PRODUCT NO: 产品料号: 111-F1932R30-B43
X.XXX ±0.10	X.XXX° ±0.500°	DRAW: 绘图: 罗求新	DATE: 2016.03.29
			SCALE: 1:1
			UNIT: mm
			TYPE: CD
			PAGE: 1/1