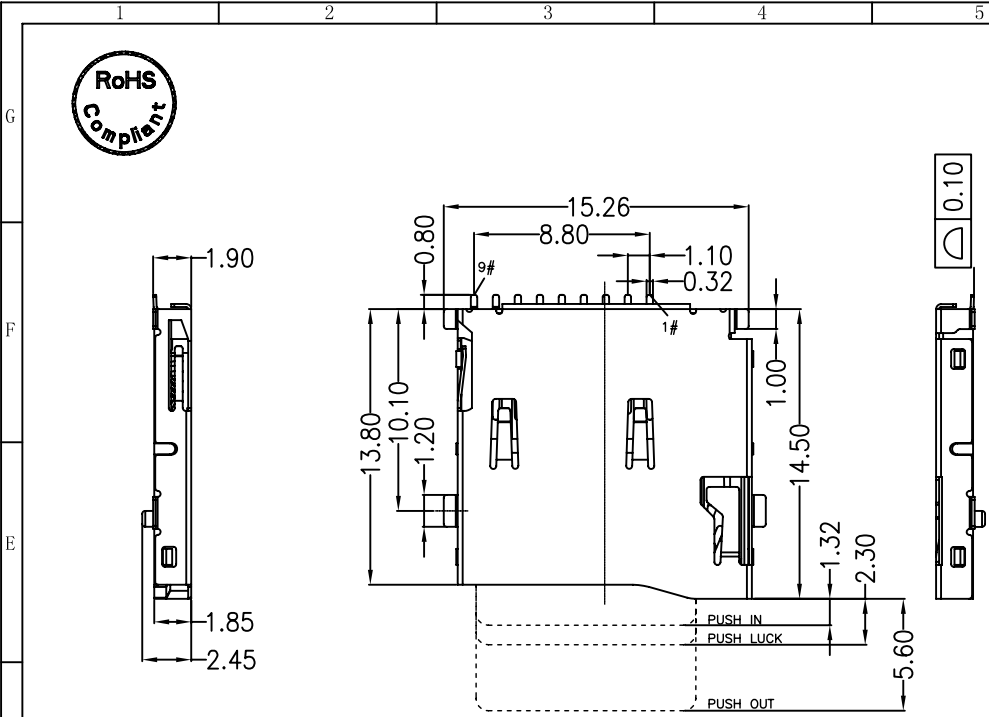




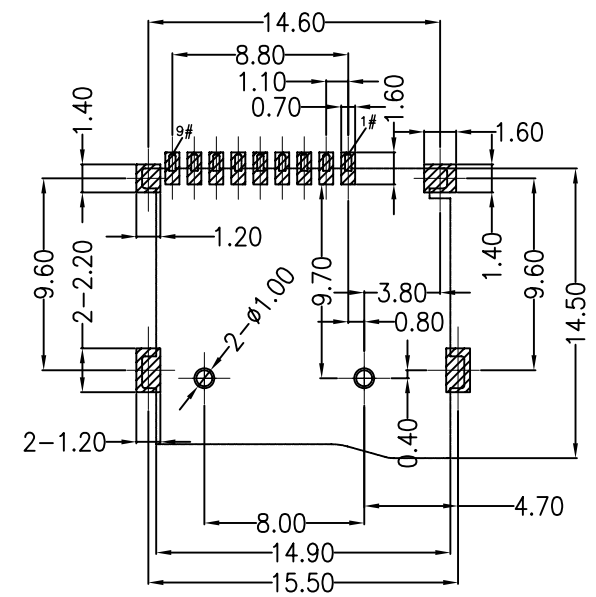
DATE	DR.BY	ECN.NO.	DESCRIPTION	MARK	VER.
12/23'13	VICKY		NEW DWG		AO



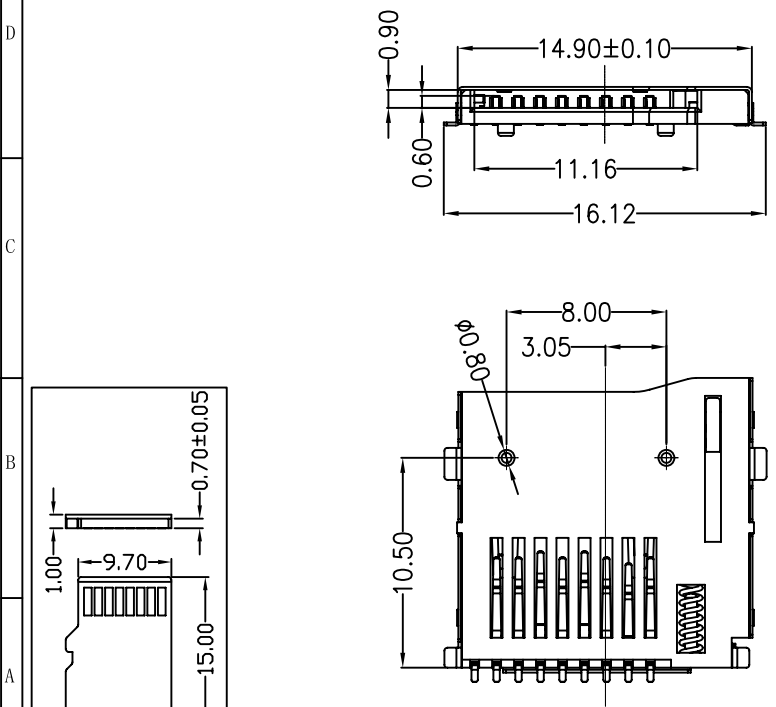
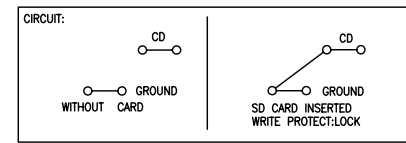
SPECIFICATION:

- 1.MATERIAL:
 HOUSING:LCP,UL94V-0,COLOR:BLACK.
 CONTACT:PHOSPHOR BRONZE.
 COVER:SUS 304.
 SPRING:SWP.
- 2.PLATING:
 CONTACT:1u" Au On Contact Are,100u" Min.Sn On Solderails,
 50u" Min.Nickel Underplated All Over.
 COVER: 50u" Min.Nickel Underplated All Over.
 SPRING: 50u" Min.Nickel Underplated All Over.

PIN NO.	PIN ASSIGNMENT
1#	DAT2
2#	CD/DAT3 ²
3#	CMD
4#	VDD
5#	CLK
6#	VSS
7#	DAT0
8#	DAT1
9#	CD



P.C.B LAYOUT
(TOLERANCE±0.05)



-TOLERANCES- UNLESS OTHERWISE SPECIFIED 公差参考表		 东莞市龙科电子科技有限公司 DONGGUAN LONGKE ELECTRONICS CO., LTD :	
		TITLE: 产品品名: TF PUSH PUSH带弹片	
X.X	±0.25	X.X°	±3.00
APPD: 核准:		PRODUCT NO: 产品料号: 193-F093K230-B02	
X.XX	±0.20	X.XX°	±1.00
CHECK: dd 校对:		DATE	SCALE
X.XXX	±0.01	0X.XXX°	±0.500
DRAW: 绘图:		2013.12.20	1:1
		UNIT	TYPE
		mm	CD
			1/1