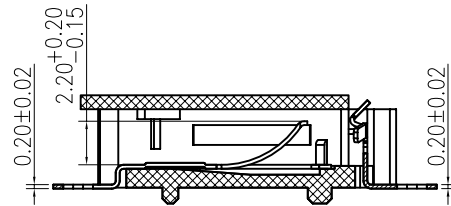
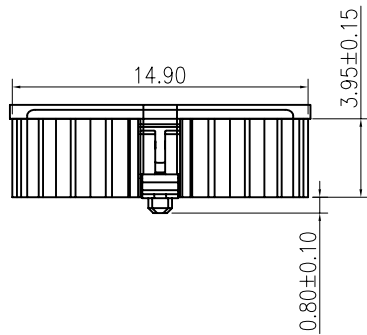
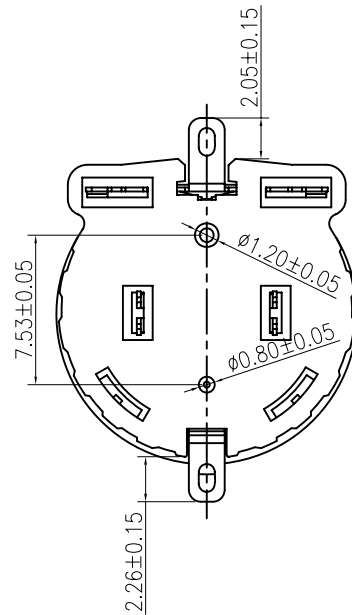
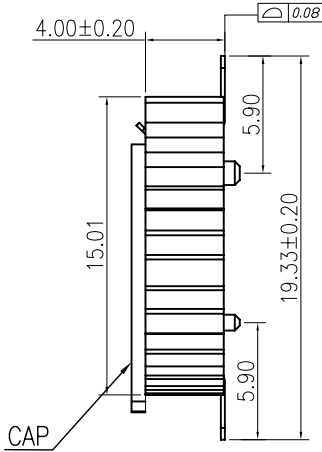
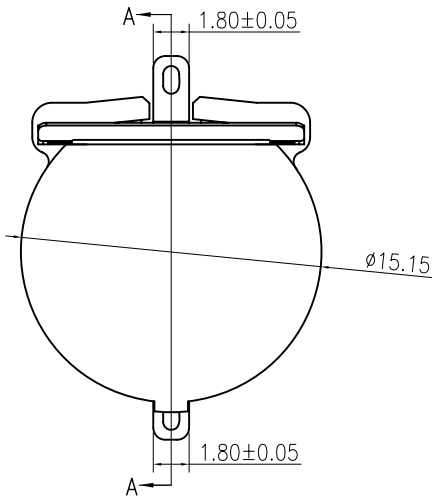


DATE	DR.BY	ECN.NO.	DESCRIPTION	MARK	VER.
3/29'14	ming		NEW DWG		AO

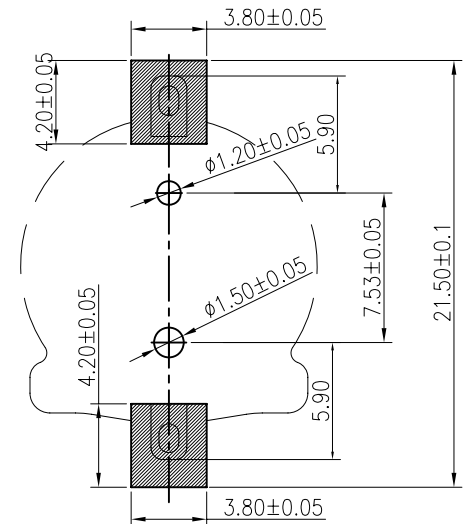
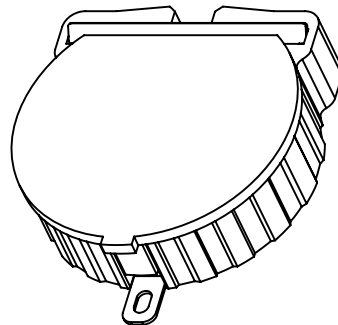


NOTE:

Electrical Characteristics:
 Current rating: 1.0A DC
 Voltage rating: 3.0V DC
 Temperature range: -25°C~+85°C
 Withstand Voltage: 750V AC one SEC level
 Contact Resistance: 20mΩ Max.
 Insulation resistance: 1000MΩ Min.
 Relative Humidity: 85%+40°C
 Material Description:
 Terminal: Phosphor Bronze Tin-Leadplated (Surface Plating 1μ" Au)
 Housing: Thermoplastic Glass Fibre (UL94V-0)



SECTION A-A

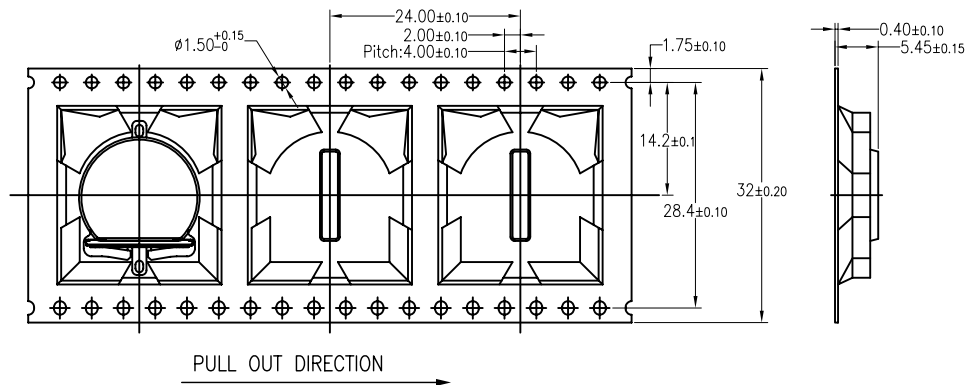


RECOMMENDED PCB PATTERN DIM.

TOLERANCE : ±0.05

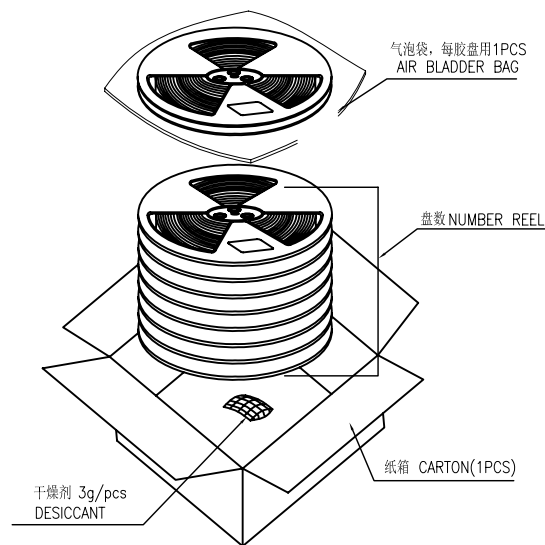
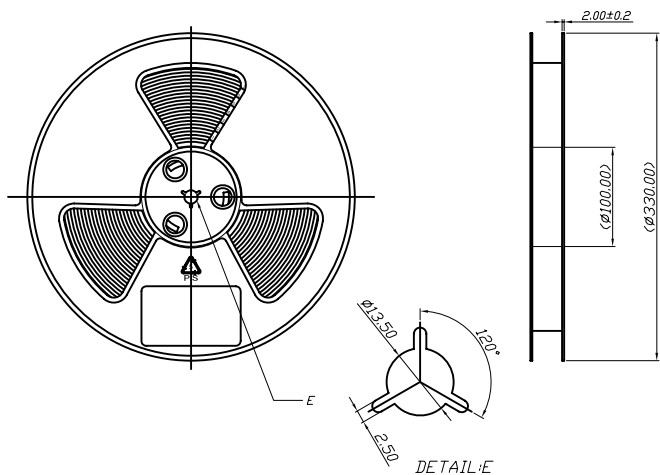
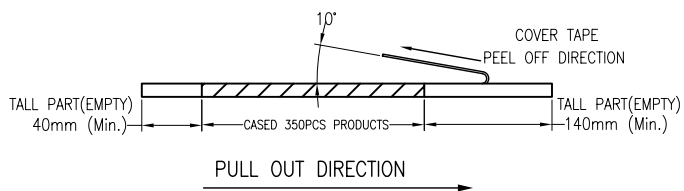
-TOLERANCES- UNLESS OTHERWISE SPECIFIED 公差参考表		东莞市龙科电子科技有限公司 DONGGUAN LONGKE ELECTRONICS CO.,LTD.								
X.X	±0.00	X.X°	±0.00°			TITLE: 产品品名: 电池座				
X.XX	±0.00	X.XX°	±0.00°	APPD: 核准:	CHECK: 校对:	PRODUCT NO: 产品料号: 222-F023G010-C04				
X.XXX	±0.00	X.XXX°	±0.00°	DRAW: 绘图: 罗求新	CHECK: 校对:	DATE	SCALE	UNIT	TYPE	PAGE
						2014.03.29	1:1	mm	CD	1/2

DATE	DR.BY	ECN.NO.	DESCRIPTION	MARK	VER.
3/29'14	ming		NEW DWG		AO



NOTES:

- 1.10 Sprocket hole pitch cumulative tolerance ± 0.20 .
- 2.Carrier camber is within 1mm in 100mm.
- 3.Material: black conductive polystyrene alloy.
- 4.All dimensions meet EIA-481-3 requirements.
- 5.For tape width 32mm pilot holes are provided on both sides.
- 6.peeling off force of top tape 0.1~0.7N (10.2~71.4gf)
- 7.Number of button cell socket:550Pcs/Reel 4400Pcs/Carton



-TOLERANCES- UNLESS OTHERWISE SPECIFIED 公差参考表		东莞市龙科电子科技有限公司 DONGGUAN LONGKE ELECTRONICS CO.,LTD :							
				TITLE: 电池座 产品品名: 电池座					
X.X	± 0.00	X.X°	$\pm 0.00^\circ$	APPD: 核准:	PRODUCT NO: 产品料号: 222-F023G010-C04				
X.XX	± 0.00	X.XX°	$\pm 0.00^\circ$	CHECK: 校对:	DATE	SCALE	UNIT	TYPE	PAGE
X.XXX	± 0.00	X.XXX°	$\pm 0.00^\circ$	DRAW: 绘图: 罗求新	2014.03.29	1:1	mm	CD	2/2